



## INCISO

Mixer Taps

Code: R424 A00

MITIGEUR INCISO



### DETAILS

Mixer type Single lever faucet with rotating barrel and flexible head.

---

Texture Brushed in line

---

Material Stainless steel AISI 316

---

Rotating angle 360°

---

Strengthening plate ø50mm

---

Cartridge With ceramic discs

---

Mixer hole ø35mm

---

Aesthetics parts AISI 316 steel aesthetic parts

---

Max worktop thickness 40mm

---

## FEATURES

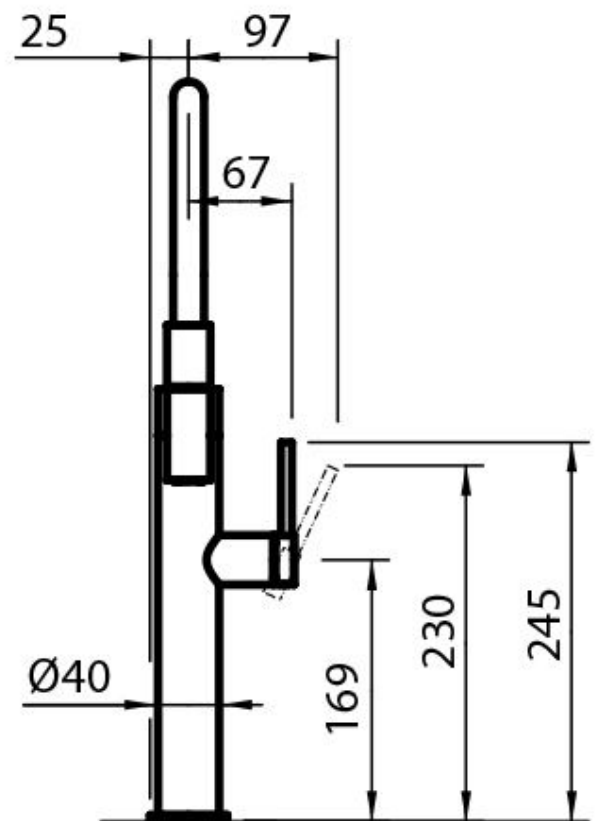
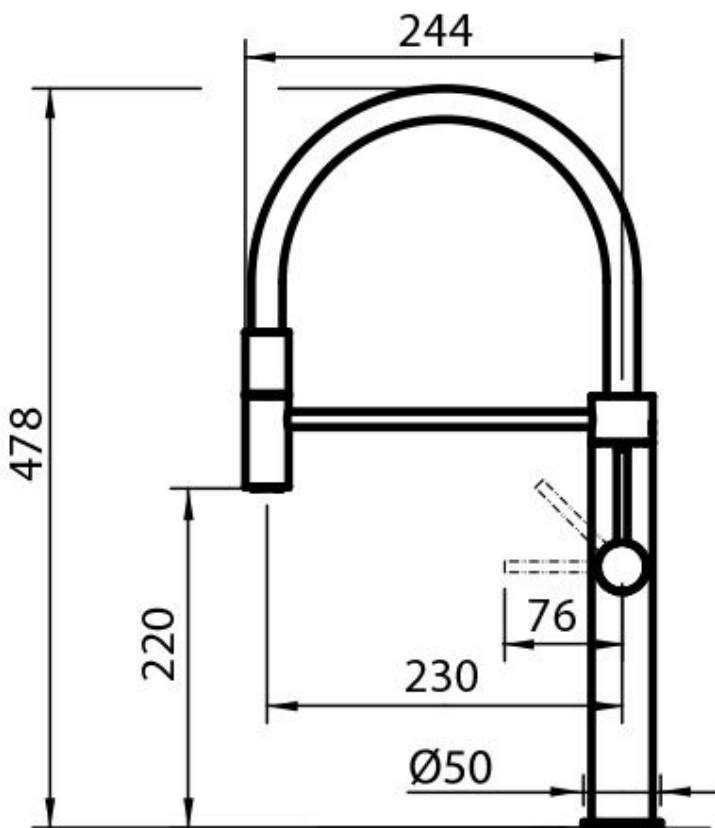
Strengthening plate

Foster's mixer taps are equipped with the strengthening plate that offers perfect stability on any sink.

Rotating angle

All the taps have a wide angle of rotation. Some models even permit a full 360° rotation.

## TECHNICAL DATA



## GALLERY

